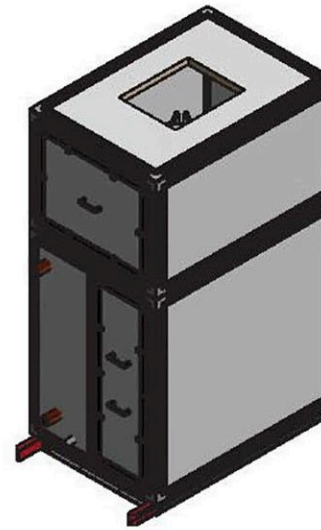


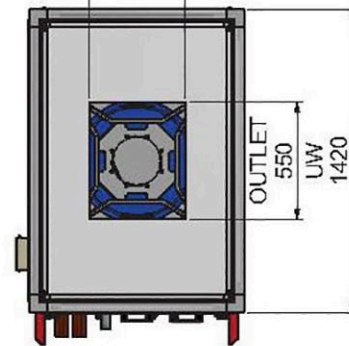
VIEW ISO 1 (1 : 30)



VIEW ISO 2 (1 : 30)

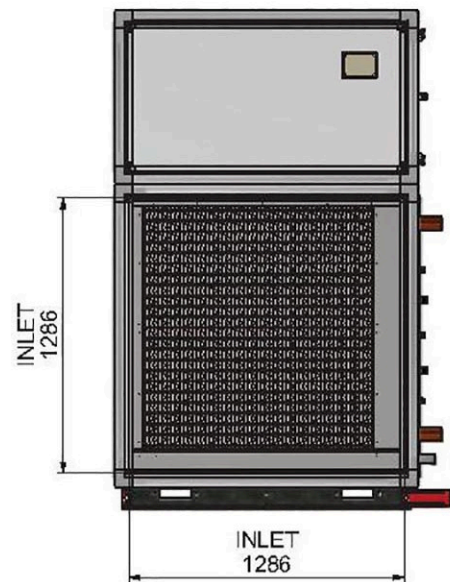


OUTLET
450



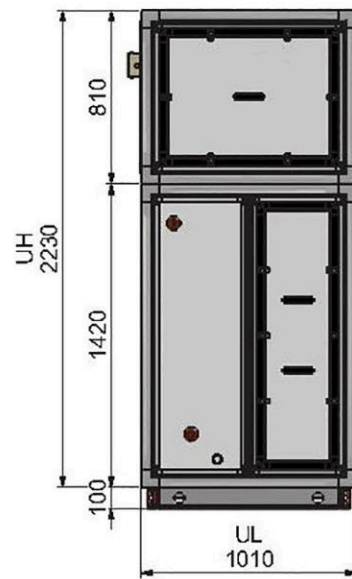
OUTLET
550
UW
1420

A-A (1 : 25)



INLET
1286

INLET
1286

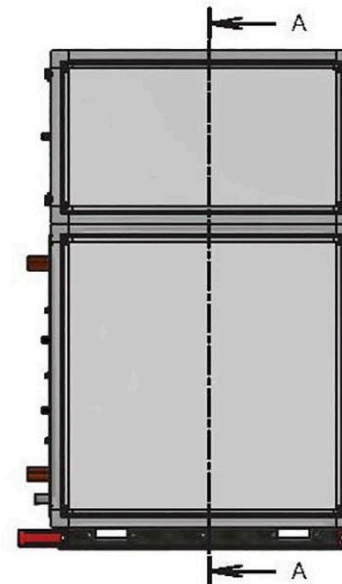


UH
2230

1420

100

UL
1010



A

A

UNLESS OTHERWISE SPECIFIED
DIMENSIONS ARE IN MILLIMETERS
BREAK AND Omit ALL DIMENSIONS
3rd ANGLE
PROJECTION
DO NOT SCALE DRAWING

Rev	By	Date	Description
001	Toh	18/05/2017	Initial Released

Fantech Pty Ltd. A.C.N. 605 434 024
45 NESTOR DRIVE, MEADOWBROOK, QUEENSLAND AUSTRALIA 4131
TELEPHONE (07) 32 999 888 FACSIMILE (07) 32 999 800



DRAWN: Toh DATE: 18/5/2017
CHKD: Sean DATE: -
APPRD: JT DATE: -

General Layout
ME2B-V404G3-FCO,
GR50C(Y73724)x1

DRAWING NO: 868-8010-1404 REV: /00 SCALE: 1 : 25 SIZE: A3